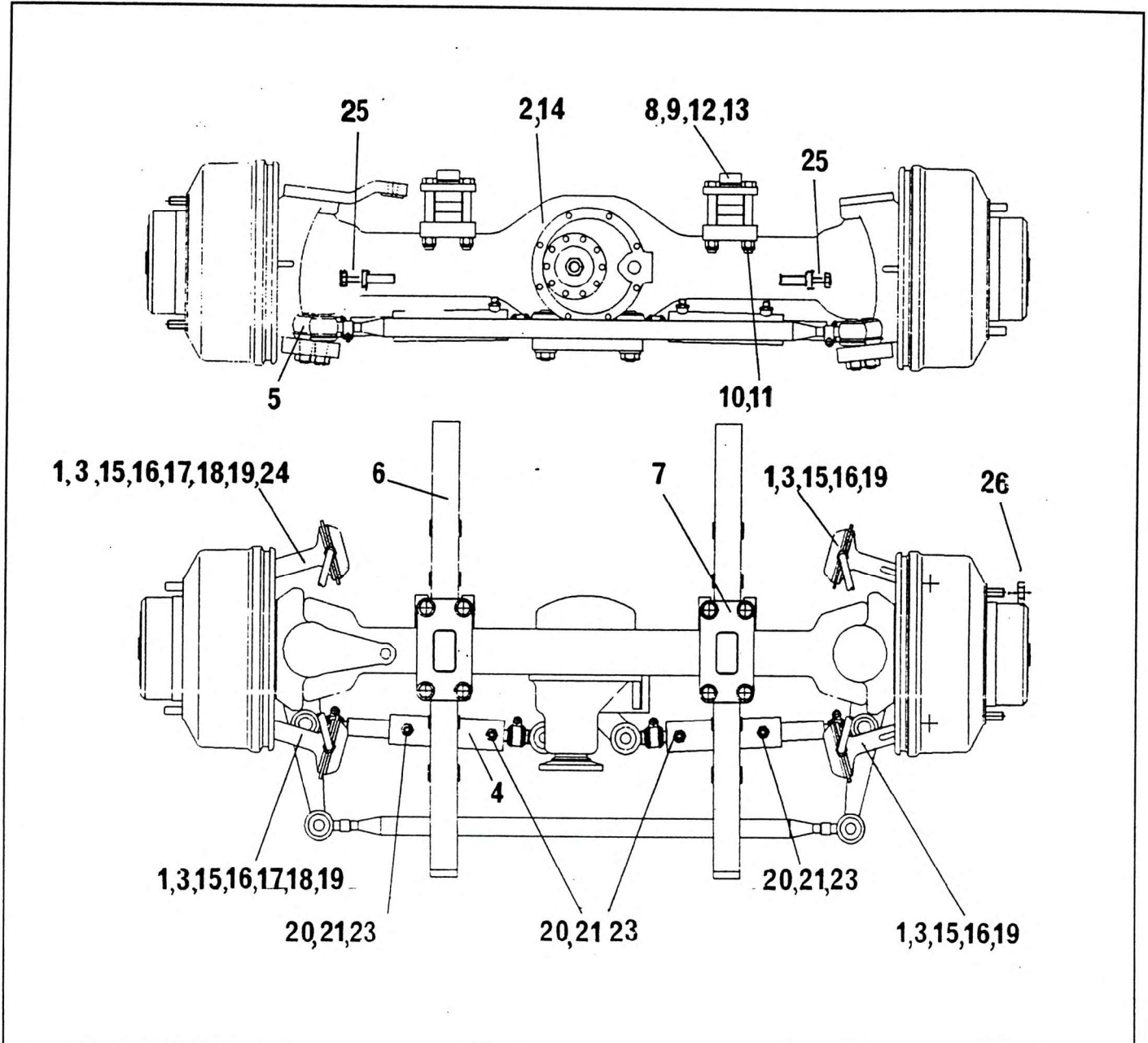


STEER DRIVE AXLE SUB ASSEMBLY



NO.	PART NO	QTY.	DESCRIPTION	NO.	PART NO	QTY.	DESCRIPTION
1	7-659-990200	4	Brake Chamber Locknut	17	7-888-000033	3	Service Tee
2	7-304-990013	1	Breather	18	8360283	3	Test Point Adaptor
3 +	7-009-990035	4	Brake Actuator	19	8305161	4	Adaptor 1/4" x M16
4 +	7-372-990211	2	Cylinder Steering	20	7-443-991195	4	Adaptor 3/4" - 16 ORFS x M18 x 1.5
5	7-364-001407	4	Ball Joint	21	7355304	4	Seal
6	7-834-990098	2	Spring Taper Leaf	23	7-447-080803	2	90 Deg Swivel Female End
7	6-705-996748	2	Plate Clamp	24	7-445-040452	1	45 Deg Str. Elbow
8	9168	2	Buffer	25	7-126-272350	2	Bolt M20 x 80
9	7-127-293450	8	Bolt M24 x 180 Lg	26	7-659-000270	20	Wheel Nut M22 x 1.5
10	7-661-290805	8	Nut Nyloc M24 Grade 12				
11	8597101	8	Washer 24 Dia				
12	7-660-161631	4	Nut Self Locking 3/8" UNF				
13	7-951-190210	4	Washer Spring M10				
14 +	6-049-990675	1	Axle No. 1 Drive/Steer Sprung Suspension				
15	7-949-990184	6	Washer Copper 5/8"				
16	2-543-990010	4	Rot Hose Assy 3/8" x 29" Lg				

+ See further breakdown in this group